



Poly-Mod™ E-Series

Emulsion/Liquid Polymer Preparation System



The **Poly-Mod™ E-Series** is an emulsion polymer preparation system that has been designed to provide continuous and homogenous polymer solutions for various liquid/solid separation applications.

The proprietary wetting module provides constant water flow and efficient emulsion polymer activation.

The **E-Series** is designed to use constant flow of water and variable flow of emulsion polymer to achieve concentrations between 0.1% to 0.5%. With only one variable to control, the **E-Series** can be manually or fully automated operated, which makes it ideal for municipal and industrial applications.

The **E-Series** is available on the following capacities:

- 23 L/min (6.1 US Gal/min)
- 90 L/min (23.4 US Gal/min)
- Largest capacities available upon request

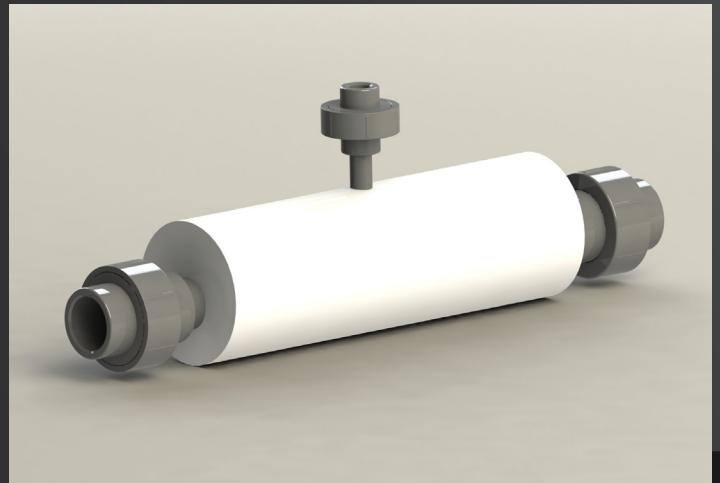
Features

PRISMA PUMP

- Diaphragm Stepper Motor Pump
- 4800 : 1 Turn-Down Ratio
- Multicolor display
- Slow Suction Mode
- Electronic Stroke Length Adjustment
- Modbus
- WiFi
- Foot Valve with Level Switch and Strainer
- 5 Years Warranty on Electronics

COMPACT

With a small and open frame, as well as very few mechanical components, the **E-Series** provides quick and easy maintenance.



CONTROLS

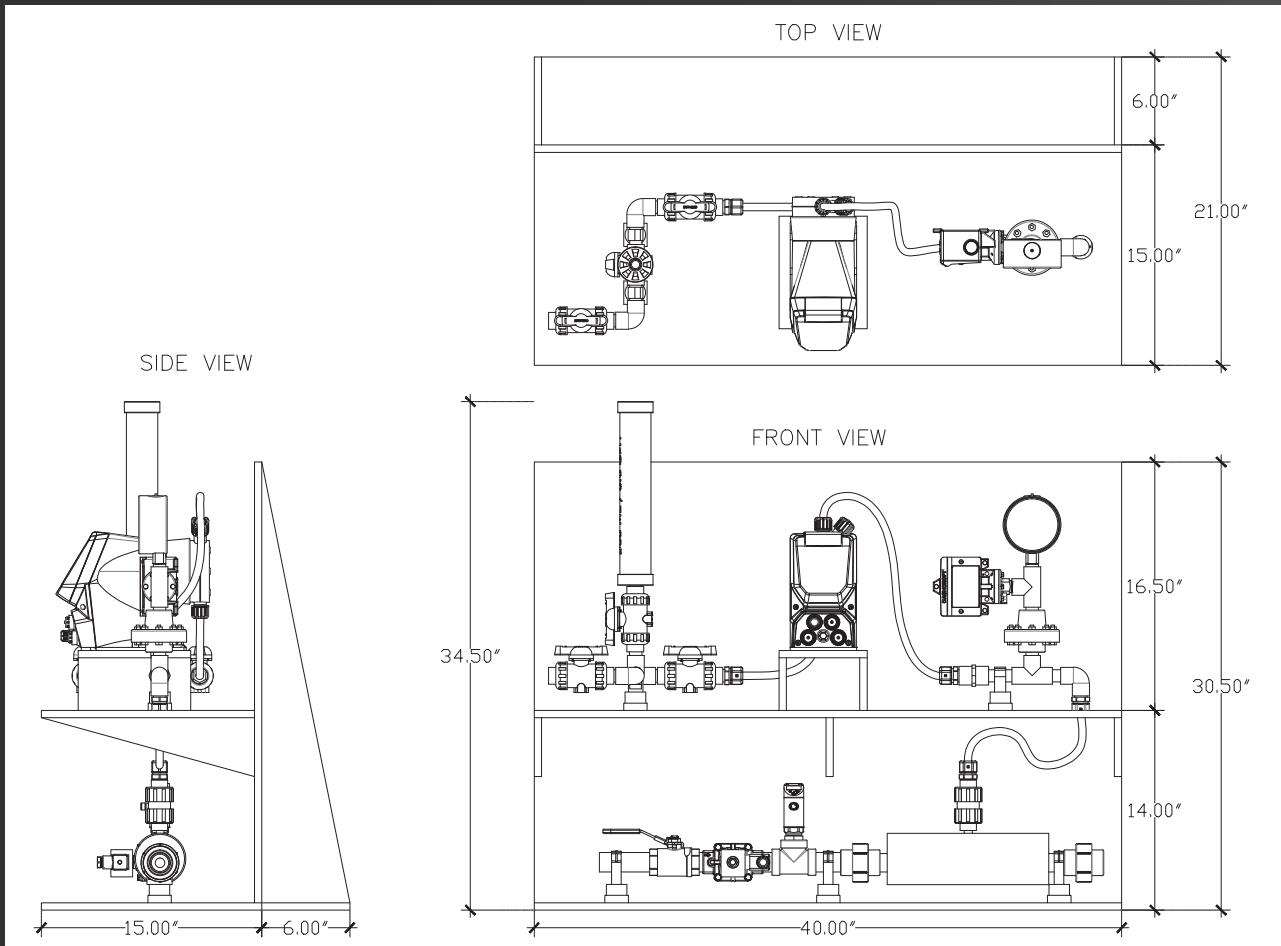
The **E-Series** can be offered with basic ON/OFF controls or fully automated with processor-based controller.





Poly-Mod™ E-Series

Emulsion/Liquid Polymer Preparation System



Specifications

Power Consumption	115 VAC / 60 Hz / 1-phase
Dimensions (L x W x H)	1,016mm (40in) x 534mm (21in) x 876mm (34.5in)
Neat Polymer Pump	Prisma Diaphragm Stepper-Motor, other pumps available upon request
Material of Construction	FRP/Aluminum/SS/CS Frame, PVC/SS Valves and Appurtenances
Accessories (Standard)	Emulsion Polymer Pump High Pressure Switch Make-Up Water Low Pressure Alarm

